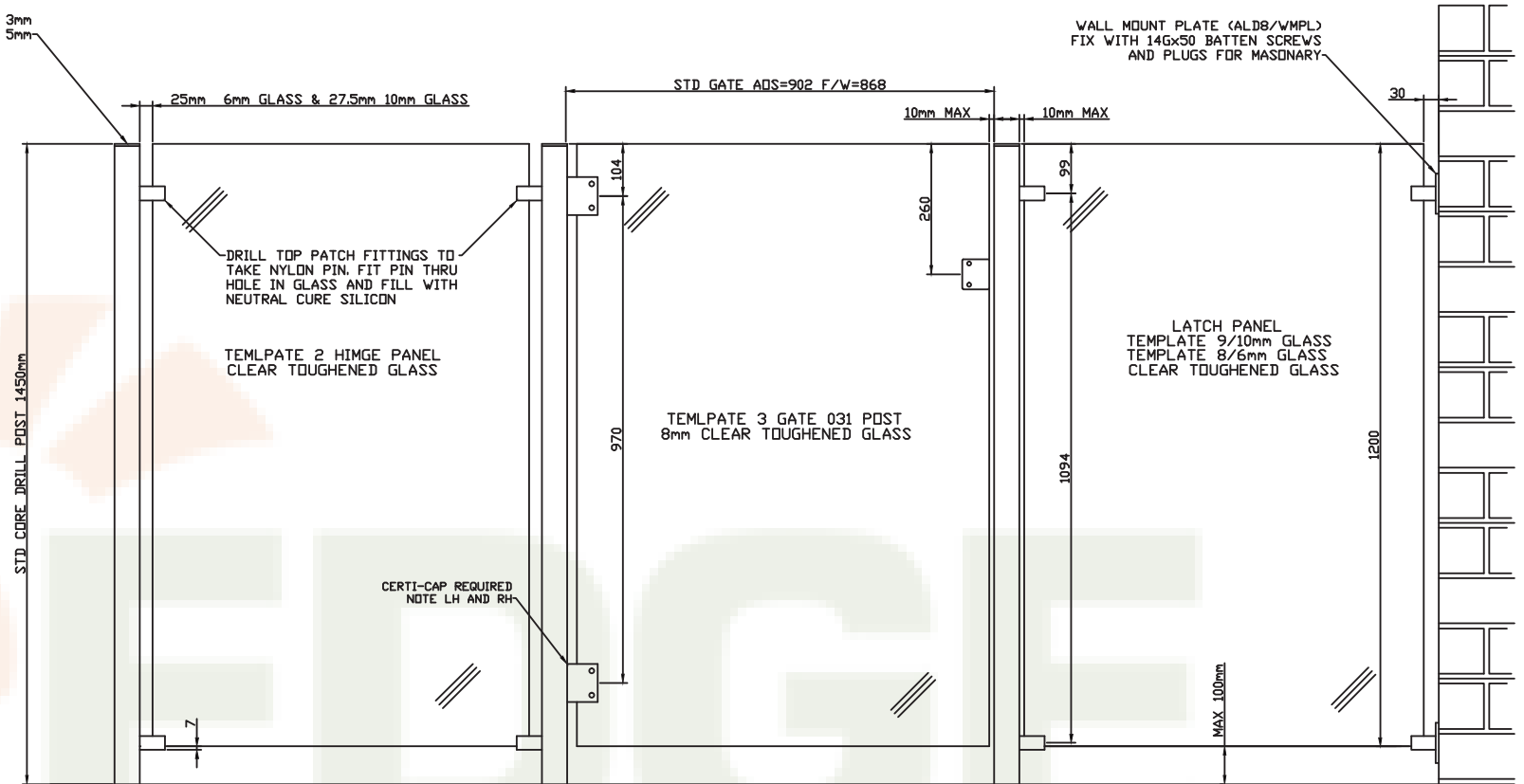
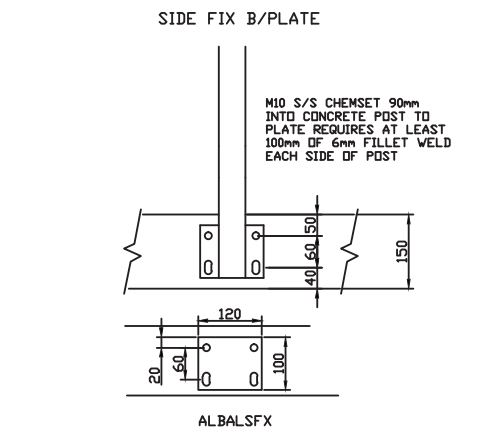
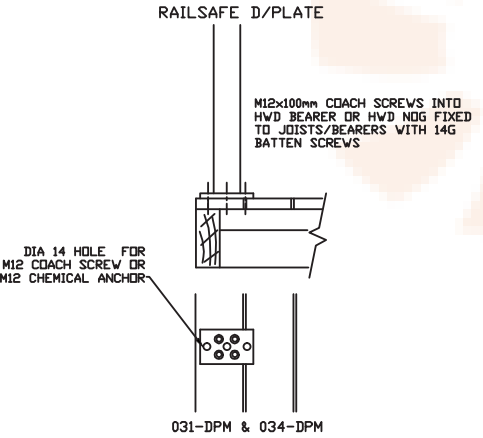
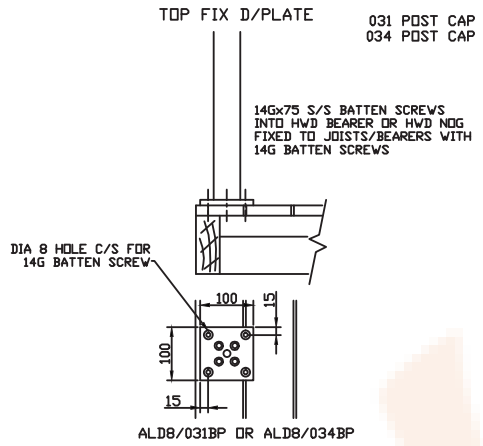
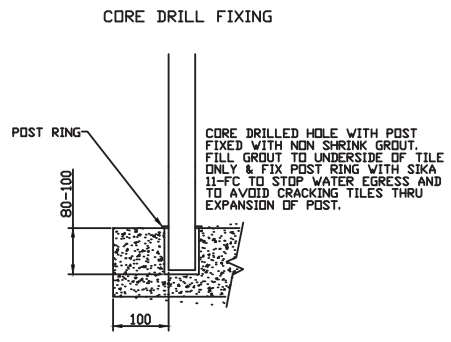


MATERIAL: ALUMINIUM 6061 T6



NOTES: 034 POST= DIA 50mm & 031 POST= 45mm SQUARE  
 031 & 034 POST REQUIRE SEMI-FRAMLESS GATE KIT (FORMERLY 031 GATE KIT) & TEMPLATE 3 GATE.  
 DECK PLATES REQUIRE 4 OFF M8x60mm C/S S/S METAL TREADS TO ATTACH TO POSTS.  
 GLASS SITS ON DIA 5mm NYLON PIN IN BOTTOM PATCH FITTINGS.  
 GATES ALWAYS OPEN AWAY FROM THE POOL.  
 CERTI CAPS ARE TO INSTALLED ON THE BOTTOM HINGE NOTE LH AND RH.

IMPORTED GLASS TABLE		
GLASS WIDTH	POST CTRS 031	POST CTRS 034
816	916	921
916	1016	1021
1016	1116	1121
1116	1216	1221
1216	1316	1321
1316	1416	1421
1416	1516	1521
1516	1616	1621



EDGE CONCEPTS (QLD) PTY LTD  
 50-52 KABI CIRCUIT  
 DECEPTION BAY 4508  
 PH.3897 8700  
 FAX.3897 8777

PART NO.	RAILSAFE D8 GLASS FENCING	
DESCRIPTION.	GLASS FENCING	
SCALE: NTS	DATE: JUNE 2008	DRAWN: A.H.S.