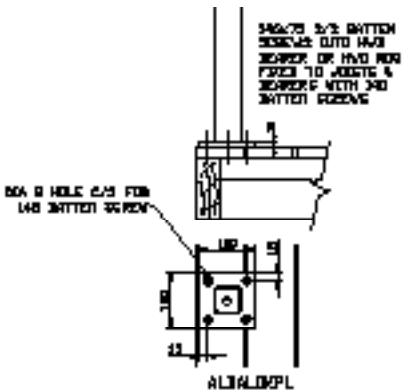
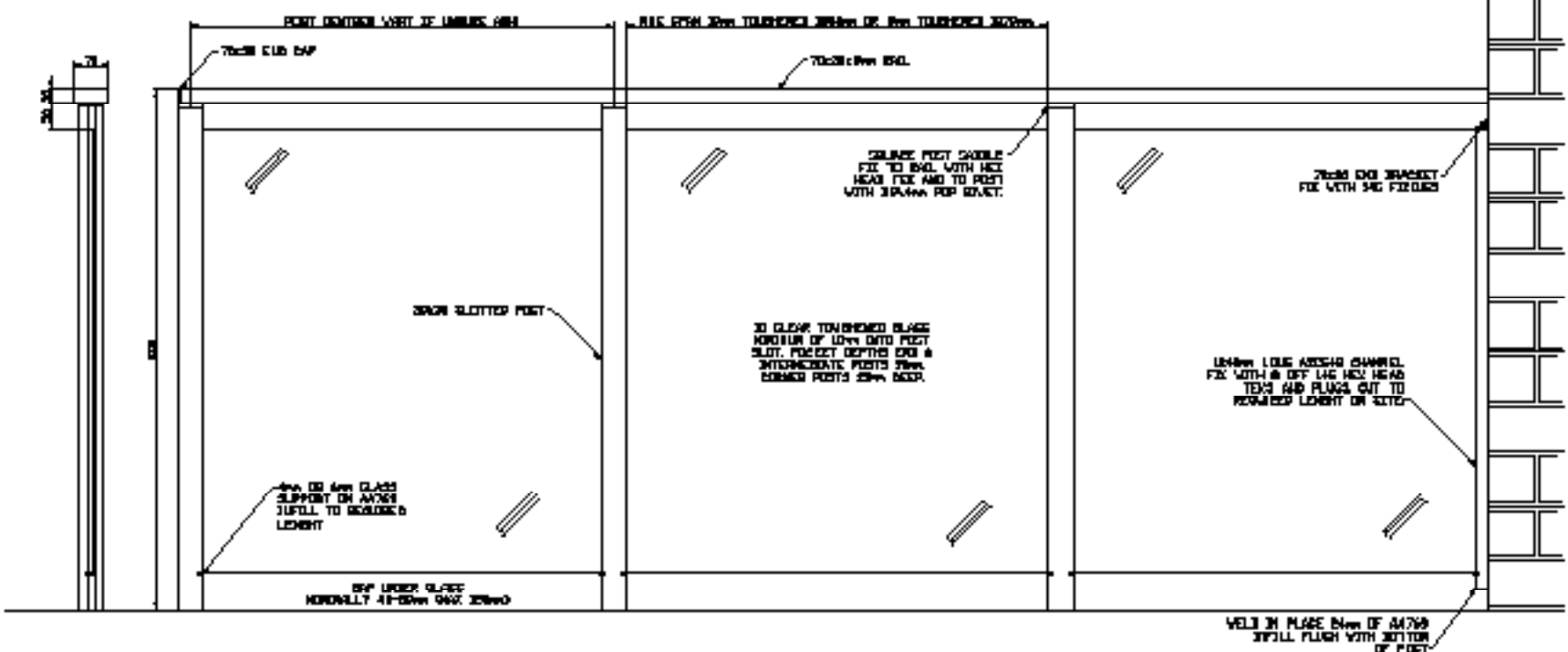
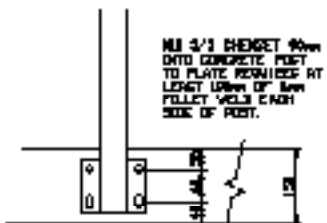


TOP FIX D/PLATE



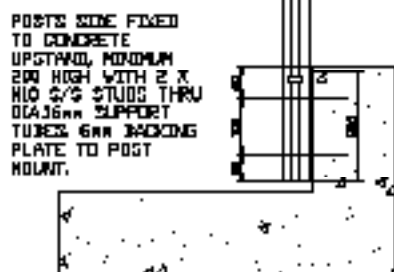
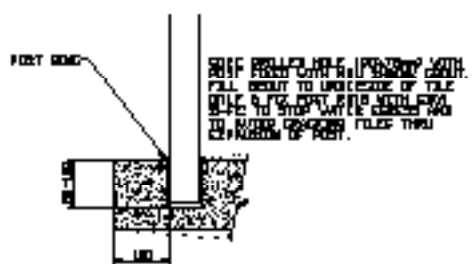
SIDE FIX M/PLATE



NOTES: 50/2A 1/4" APPLIED TO POST POCKET AND GLASS TO FORM TO STOP GLASS PANEL FROM MOVING.
 GLAZING RUBBER FOR 10mm GLASS GRS OR PACIFIC RUBBER P969 DUE TO EXTRUSION VARIATIONS.
 A4799 INFILL TO BE SUPPLIED AT 1825mm LONG FOR GLASS SUPPORT AND TRIMMED ON SITE.
 END 1-WAY POSTS 629803, INTERMEDIATE 2-WAY 629802, COR 2-WAY 629804, A4799 POCKET INFILL 70x20x10 TO BE JOINED WITH 400 LONG FOLDED CHANNEL TO FACILITATE TRANSPORT & POWDER COATING.
 AREAS WHERE THE LANDING IS MORE THAN 2m FROM GROUND LEVEL AND THERE IS A RISK OF INJURY FROM FALLING OBJECTS HEAT SOAKED GLASS MAY BE REQUIRED. IF UNSURE ASK

SIDE THRU FIXING

CORE DRILL FIXING



EDGE CONCEPTS
 GLD PTY LTD
 50-52 KABI CIRCUIT
 DECEPTION BAY 4508
 PH.3897 8700
 FAX.3897 8777

PART NO		D5 SQ POST GLASS BALUSTRADE	
DESCRIPTION		GLASS BALUSTRADE	
SCALE: NTS	DATE: JAN 2011	DRAWN: A.H.S.	