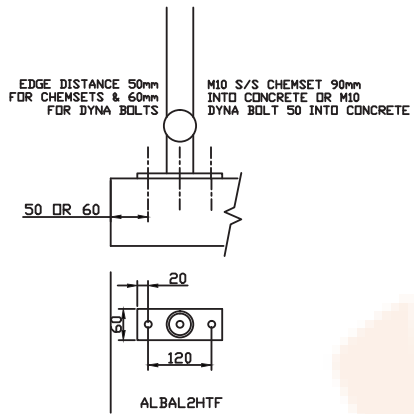
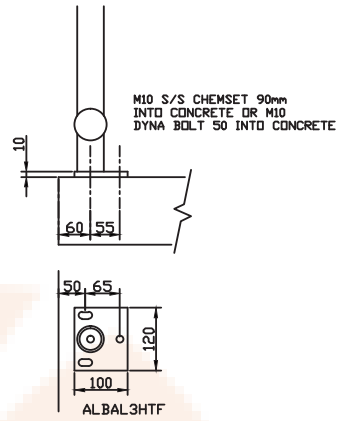


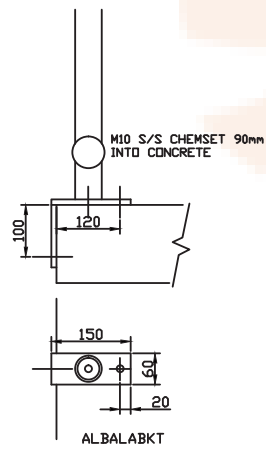
TOP FIX B/PLATE



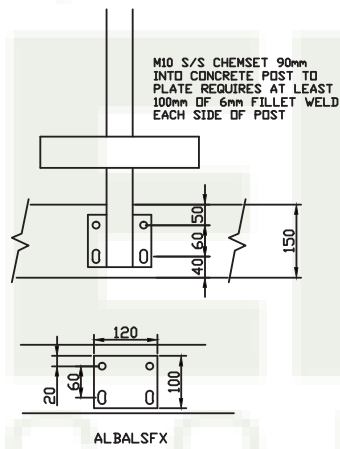
OFFSET TOP FIX B/PLATE



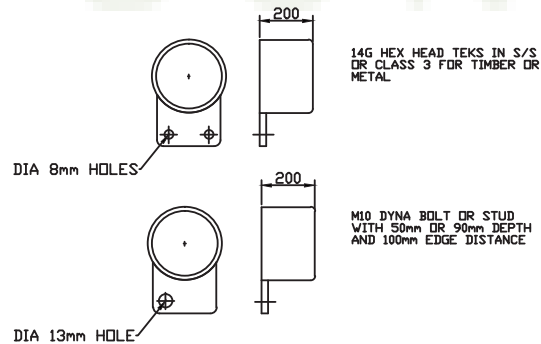
CNR FIX B/PLATE



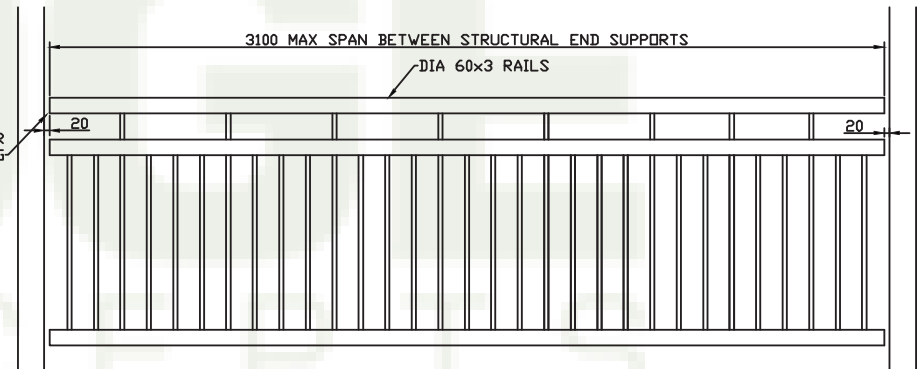
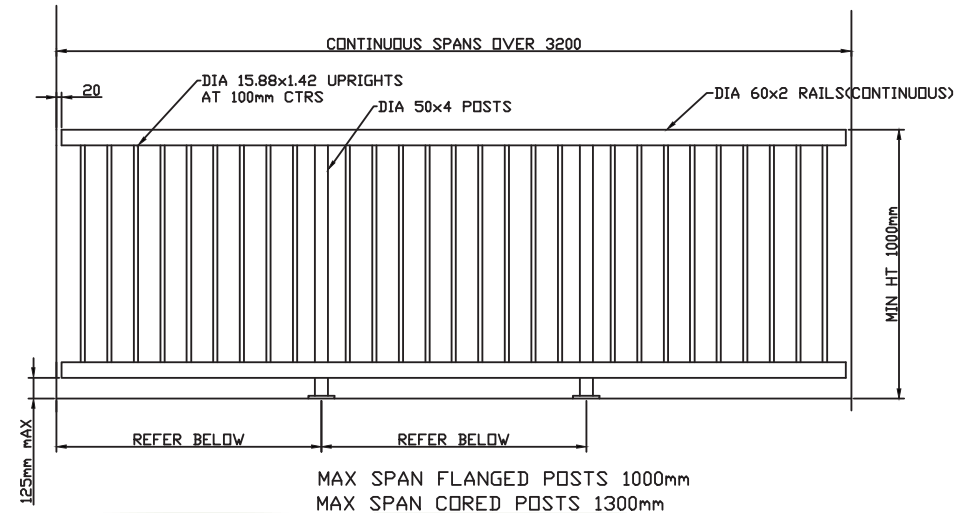
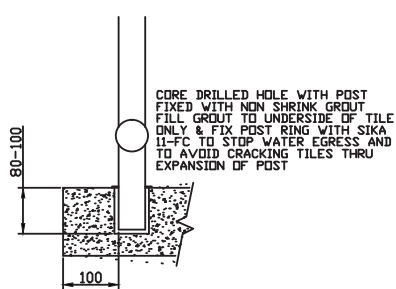
SIDE FIX B/PLATE



CUP END FIXINGS



CORE DRILL FIXING



NOTES: CONCRETE TO BE AT LEAST 25MPA AND 150mm THICK.  
BALUSTRADES DESIGNED TO THE LOADINGS GIVEN IN TABLE 3.3  
C3 OF AS 1170.1 2002.

EDGE CONCEPTS  
(QLD) PTY LTD  
50-52 KABI CIRCUIT  
DECEPTION BAY 4508  
PH.3897 8700  
FAX.3897 8777

PART NO. MELALEUCA/GREVILLEA/WELDED D1	
DESCRIPTION. TUBULAR WELDED BALUSTRADES	
SCALE: NTS	DATE: OCT 2005
DRAWN: A.H.S.	