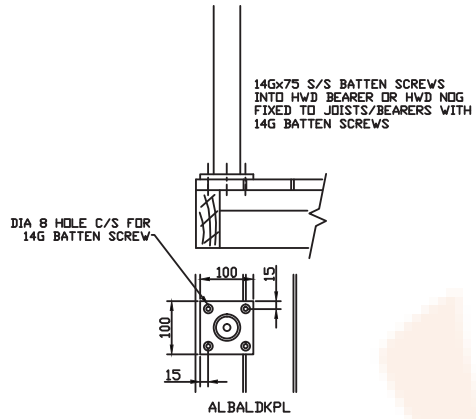
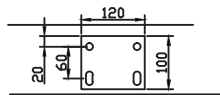
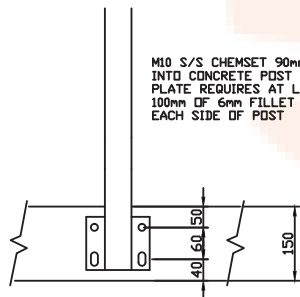


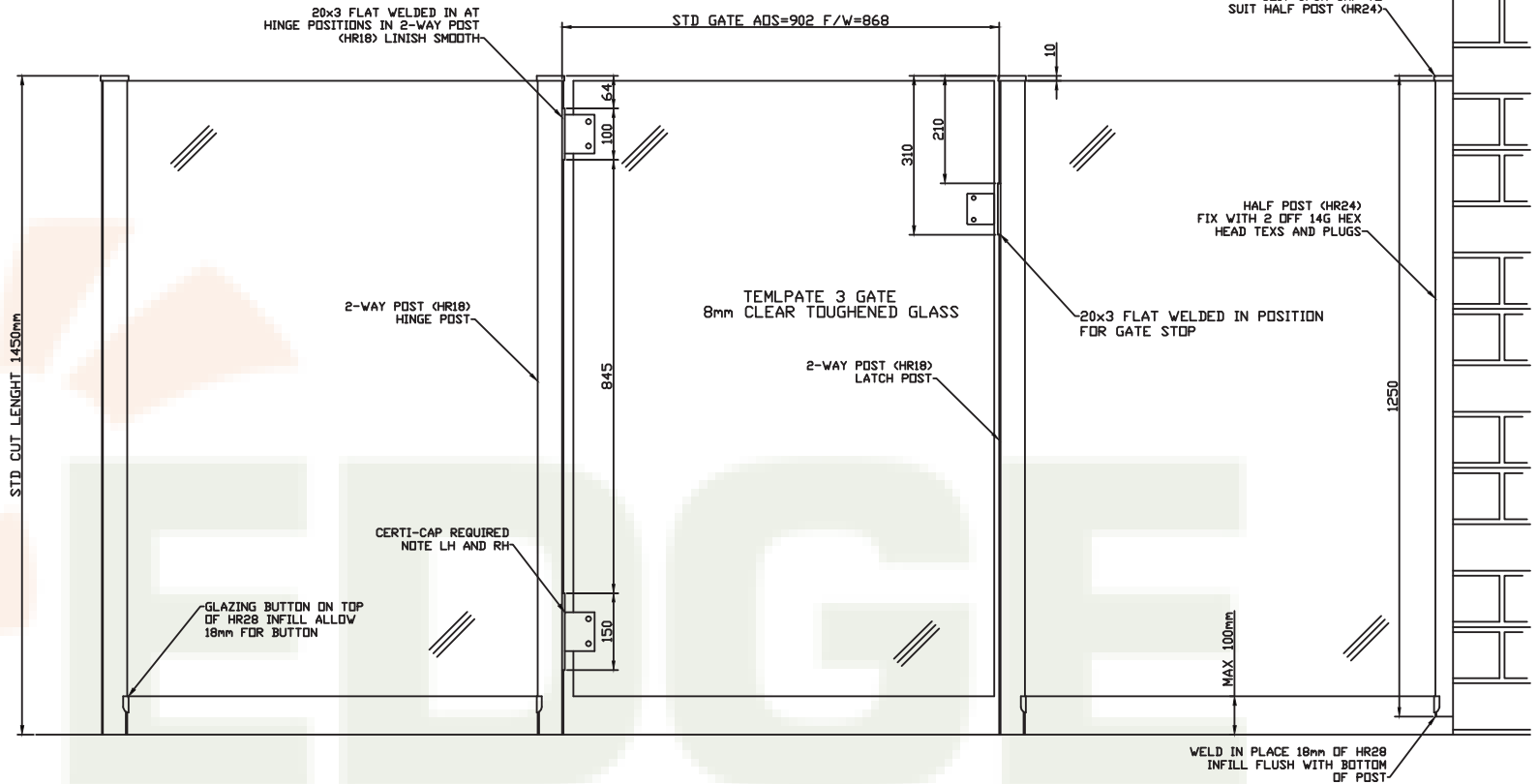
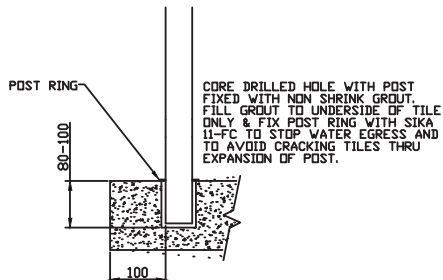
TOP FIX D/PLATE



SIDE FIX B/PLATE



CORE DRILL FIXING



NOTES:HINGE PANEL NEEDS TO HAVE SIKA 11FC APPLIED TO POST POCKET AND GLASS TO FORM A BRACING PANEL TO STOP THE GATE FROM DROPPING.
GLAZING RUBBER FOR 10mm GLASS GR2.
ALWAYS CHECK POCKET ORIENTATION AS THE 3-WAY POST(HR19) HAS SMALLER POCKETS AND THE 2-WAY POST(HR18) HAS ONE SMALLER THAN THE OTHER.
HR28 INFILL TO BE SUPPLIED AT THE POST LENGTH OR AT 250mm PIECES FOR GLAZING.
HR18 2-WAY POST, HR19 3-WAY, HR24 HALF POST, HR28 POCKET INFILL.
GATES ALWAYS OPEN AWAY FROM THE POOL.
CERTI CAPS ARE TO INSTALLED ON THE BOTTOM HINGE NOTE LH AND RH.

IMPORTED GLASS TABLE	
GLASS WIDTH	POST CENTRES
916	940
1016	1040
1116	1140
1216	1240
1316	1340
1416	1440
1516	1540

EDGE CONCEPTS
(QLD) PTY LTD
50-52 KABI CIRCUIT
DECEPTION BAY 4508
PH.3897 8700
FAX.3897 8777

PART NO.	SLOTTED RD POST GLASS FENCING	
DESCRIPTION.	GLASS FENCING	
SCALE: NTS	DATE: JUNE 2008	DRAWN: A.H.S.