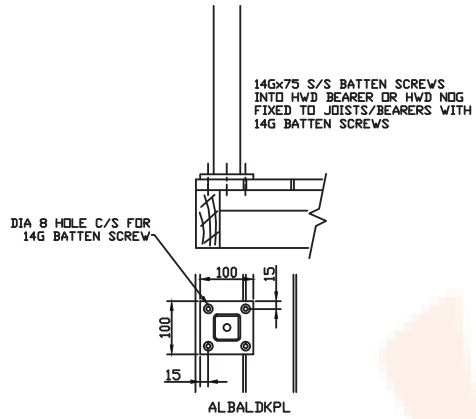
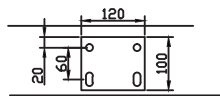
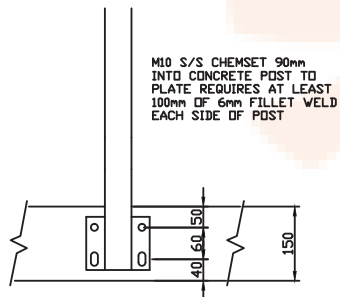


TOP FIX D/PLATE

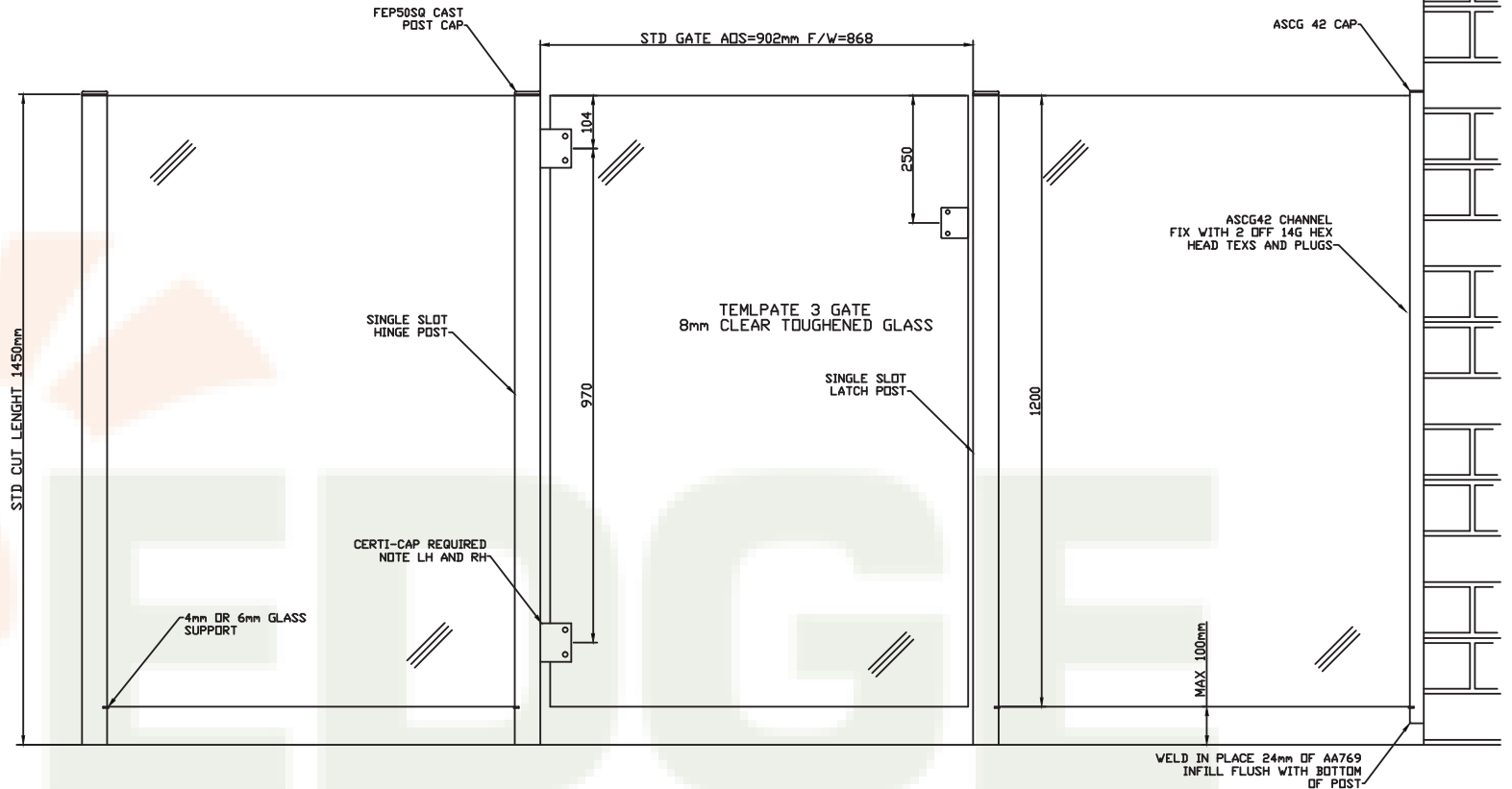
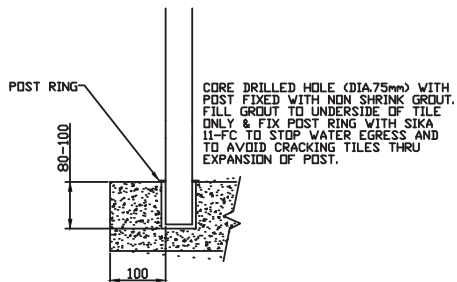


SIDE FIX B/PLATE



ALBALSFX

CORE DRILL FIXING



NOTES: HINGE PANEL NEEDS TO HAVE SIKI 11FC APPLIED TO POST POCKET AND GLASS TO FORM A BRACING PANEL TO STOP THE GATE FROM DROPPING.
 GLAZING RUBBER FOR 10mm GLASS GR22 OR PACIFIC RUBBER P969 DUE TO EXTRUSION VARIATIONS.
 AA769 INFILL TO BE SUPPLIED AT THE POST LENGTH OR AT 250mm PIECES FOR GLAZING.
 END 1-WAY POST 629851, INTERMEDIATE 2-WAY 629852, CNR 2-WAY 629850, AA769 POCKET INFILL.
 GATES ALWAYS OPEN AWAY FROM THE POOL.
 CERTI CAPS ARE TO INSTALLED ON THE BOTTOM HINGE NOTE LH AND RH.

IMPORTED GLASS TABLE	
GLASS WIDTH	POST CENTRES
816	846
916	946
1016	1046
1116	1146
1216	1246
1316	1346
1416	1446
1516	1546

EDGE CONCEPTS
 (QLD) PTY LTD
 50-52 KABI CIRCUIT
 DECEPTION BAY 4508
 PH.3897 8700
 FAX.3897 8777

PART NO.	
SLOTTED SQ POST GLASS FENCING	
DESCRIPTION.	
GLASS FENCING	
SCALE: NTS	DATE: JAN 2011
DRAWN: A.H.S.	